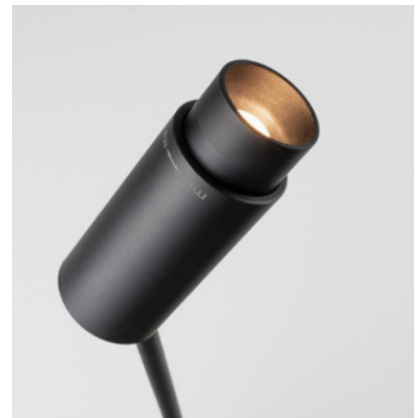


Indoor | Surface | Low output up to 100lm



Key applications

- ✓ Cabinet & furniture
- ✓ Interior
- ✓ Display case
- ✓ Retail display

Key features

- ✓ Adjustable
- ✓ Decorative
- ✓ Diffusion: spoting
- ✓ Form factor: small
- ✓ High lumen efficacy
- ✓ IP20
- ✓ Dry area
- ✓ Lensed
- ✓ Output low: 1-500lm

TWIGGY Stick

Specification sheet

KKDC



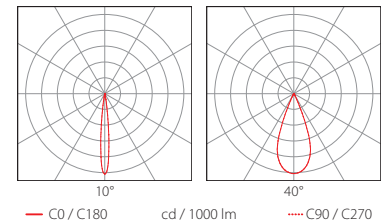
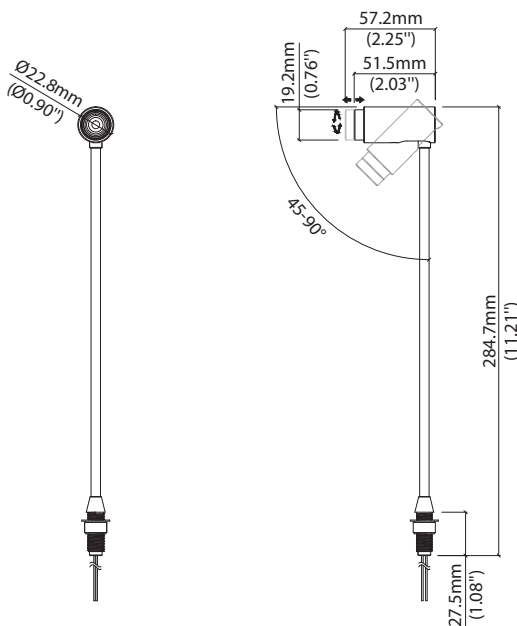
Dimension	L285/Ø19.2mm (L11.2/Ø0.76 in)
Chip	Nichia
Beam angle	10°-40°(Adjustable)
Colours	hcc-line 3000K/4000K
Bin/Step	hcc-line 3-step MacAdam ellipse
CRI	≥90
Lifetime	50,000 hours @ 25°C (50,000 hours @ 77°F)
Operating temp	T _a = -20 to 35°C (T _c max = 60°C) T _a = -4 to 95°F (T _c max = 140 ° F)
IP rating	IP20
Finish	Black Anodized
Cover/lens	10°/40°
Mounting	Surface mounted wall brackets
Power feed	Hardwire tails
Control	Constant Current



PERFORMANCE DATA @ 3000K

Power consumption	Supply voltage	Supply current
2W	2.85V DC	0.7A

	Lens 10°	Lens 40°	CRI	R9	Rf	Rg
hcc-line	100lm 50lm/W	100lm 50lm/W	-	-	-	-



Data derived from independent UKAS/IESNA LM-79-08 accredited testing of production samples.

TWIGGY Stick

Code Table



FIXTURE

Model	Finish	Cover	Grade	Colour (CCT)	IP	Cable Length	Power Feed	Lens	Control Type	Input							
TWIGGY Stick	OETW	Black Anodised	BA	No Cover	X	h ^{cc} h	3000K 30 4000K 40	IP20 20	1000mm (39.4in) 1000	Single no sheath tail	S00X	Adjustable (10-40°)	A4	No Controller	5	Constant Current (DC)	a

Code Example:

OETW	-	BA	-	X	-	h ^{cc} h	-	30	-	20	-	1000	-	S00X	-	A4	-	5	-	a
TWIGGY Stick		Black Anodised		No Cover		h ^{cc} h		3000K		IP20		1000mm (39.4in)		Single no sheath tail		Adjustable (10-40°)		No Controller		Constant Current (DC)

LED ENGINE VARIANTS (LED STRIP TYPE)

Luminaire	Output	Lumen/module	W	Spec Doc	Dimension
TWIGGY Stick	Low	100	2	TWIGGY Stick	L285/Ø19.2mm (L11.2/Ø0.76in)

* Performance data: hcc-line, Lens 10°, 3000K